

Features

330 LX Series Extended-Reach Demolition machines are equipped with a purpose-built boom for demolishing structures up to 3 stories with an attachment reach to 45-feet. Or, process materials on the ground with shear or universal processor as a 2nd or 3rd member for added versatility when not working up high.

This machine is easily moved from job-to-job with a boom and stick that fold underneath transport height limitations.

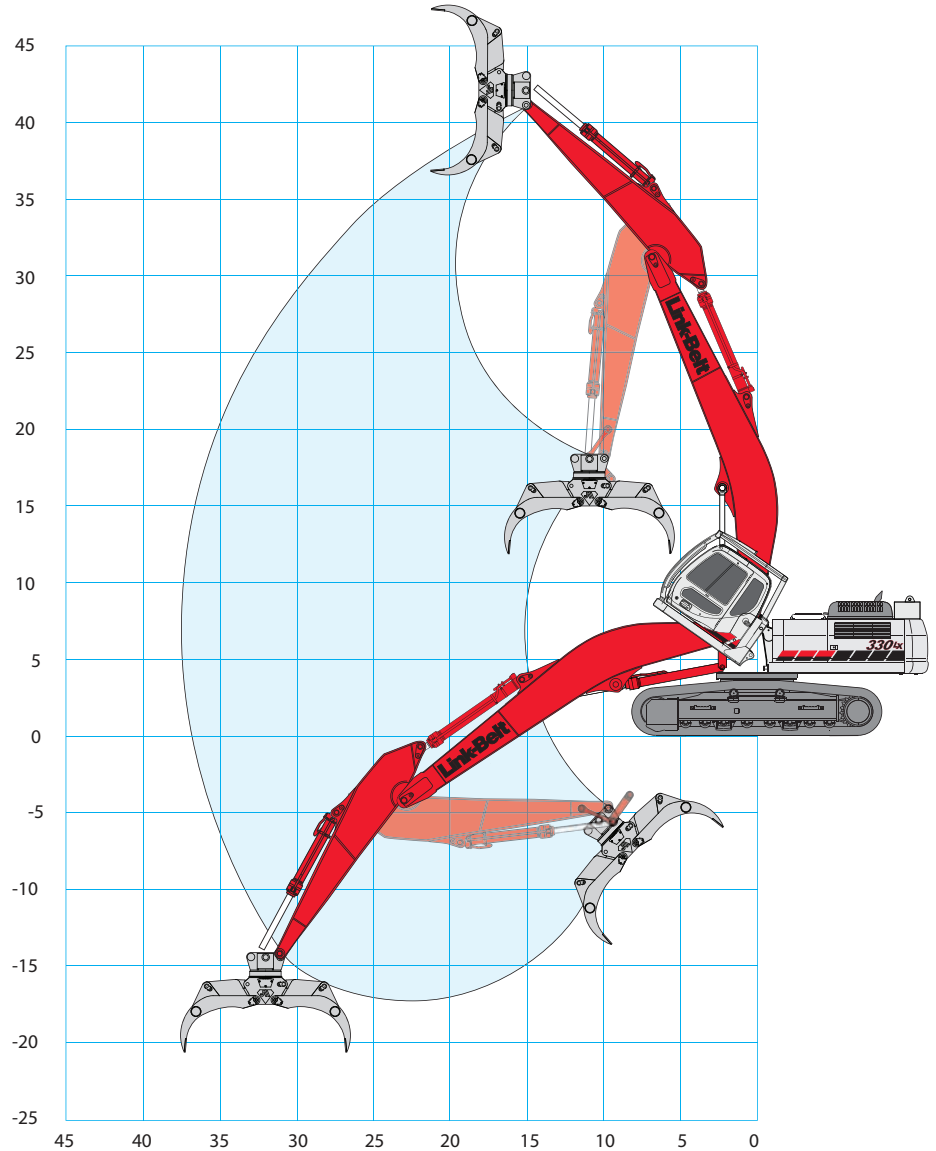
Selectable work modes match applications, including Free Swing and control pattern changer to meet operator preference. Standard single pedal straightline travel for ease of working the joysticks and inching or traveling.

For maximum operator protection, Link-Belt demolition equipment can be equipped with an optional ROPS/FOPS cab guarding and laminated Lexan® glass roof/front window. A variety of other protection packages available.

When working up high, the optional hydraulic tilt and/or raise cab makes it easier to see what you're doing and is less strain on your neck and body - works independently for optimum viewing angles: 35-degree tilt: 7-ft raise.

Optional heavy-duty guarding package includes 5/16-inch belly pans, 3/4-inch swivel guard, 1/4-inch doors and 3/8-inch travel motor covers to minimize damage from jobsite debris; HD welded or bolt-on catwalks. Optional, full-length track guards also available.

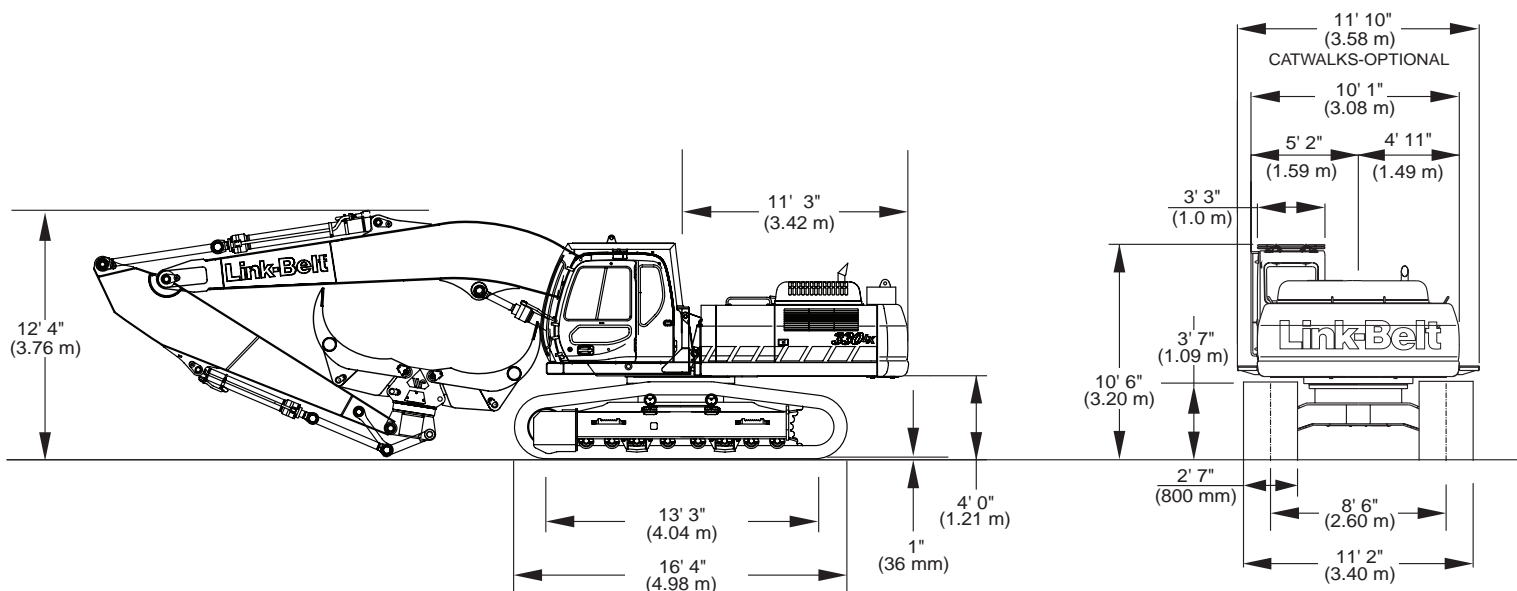
Optional auto-lube system cuts maintenance time by greasing all lubrication points along the entire length of the boom - excluding work tool.



Optional dust suppression system with dual nozzles mounted at the end of the boom can be adjusted from fine mist to straight stream. Electronically controlled from in cab - easily connects to fire hydrants for water supply.

Additional counterweights and reinforcement may be added depending on the hydraulic tool required.

Dimensions



Standard Equipment

- 271 net horsepower Tier III certified Isuzu diesel engine with electronic control
- Inte-LX[®] computer control system
- Illuminated LCD service monitor with on-board self-diagnostic system
- Auto idle start
- Auto engine warm-up
- One-touch idle and auto-idling system
- Selectable work modes
- Free Swing control
- Cushioned attachment control
- Auto power boost
- Auto power swing
- Control pattern changer
- KAB[®] 515 sliding/reclining suspension seat with adjustable arm rests and lumbar support, seat belt
- 3-position tilting consoles with 4th position on left console for entering and exiting the cab - also serves as hydraulic lock-out
- Gate lock and gate lock lever for hydraulic lock-out
- Climate control A/C and heat
- 12-volt accessory outlet
- Single pedal straightline travel with intermittent or continuous travel alarm
- AM/FM stereo radio, horn, lighter, floor mat, interior lighting, coat hook storage compartment, mirrors, digital clock, hour meter
- Common key for ignition, cab door, service doors, tool box, engine hood and fuel cap
- Auxiliary hydraulics with rotate circuit
- Hydraulic quick-connects
- Boom and arm holding valves
- Integral cylinder cushioning
- Nephron[®] hydraulic filtration system
- Heavy-duty catwalks, belly pans, swivel guard and travel motor covers
- Long undercarriage with sealed and lubricated track
- Double track guides

Options

- Cab Guarding Options:
 - ROPS/FOPS cage
 - Front mesh only
 - Front bars only
 - FOPS guard for roof only
 - Laminated Lexan[®] glass
- Hydraulic cab positioning system with tilt and/or raise
- HID cab lighting
- Purpose-built extended-reach demolition boom
- Heavy-duty curved boom with high-lift bracket
- Arm Options:
 - 13' 3" (4.04 m)
 - 10' 8" (3.25 m)
 - 8' 8" (2.63 m)
- Auxiliary Hydraulics:
 - Single-Acting
 - Multi-Function
 - Thumb
 - Rotate Circuit
- Dust suppression watering system
- Auto-lube
- Rearview camera
- Heavy-Duty Guarding Available:
 - Welded or bolt-on catwalks
 - Upper belly pans 5/16-inch
 - Arm reinforcement plating/ripping
 - Service Doors 1/4-inch
 - Swivel Guard 3/4-inch
 - Travel motor covers 3/8-inch
 - Kevlar cylinder sleeves
- Full-length track guards
- Triple track guides
- Track
 - 31.5" (800 mm) 3-Bar Grouser
 - 33.5" (850 mm) 3-Bar Grouser
 - 27.5" (700 mm) 2-Bar Grouser

Link-Belt
EXCAVATORS • FORESTRY
DEMOLITION • MATERIAL HANDLING

LBX Company is the proud maker of quality Link-Belt excavators and is located in Lexington, KY.

Litho in USA 2/08 #LBX2145

© LBX and © Link-Belt are registered trademarks. Copyright 2008. All rights reserved. We are constantly improving our products and therefore reserve the right to change designs and specifications.

LBX
"Different by Design"

www.lbxco.com